

Optimus

LED Pole mount lights

LCG-SB

- Tier 1 LED for high luminous efficiency and long life
- Die cast aluminum design for better cooling and durability
- Excellent optical design
- Photocell control accessory can be added during installation
- 1-10 V Dimming driver standard

Specifications

Electrical

Input voltage 100-277 VAC or 347-480 VAC³

Size	System efficacy	EPA rating
300 W	130 lm/W	0.309 m ²
200 W	135 lm/W	0.205 m ²
150 W	140 lm/W	
100 W	130 lm/W	
60 W	145 lm/W	

Data based on 5000 K model.

Lighting

Light output (nominal)

Size	Light output (nominal)	Pole height & LUX correlation (based on 50' dia. area, Type V optics, 5000 K CCT)															
		12' (3.6 m)		15' (4.5 m)		20' (6.0 m)		25' (7.6 m)		30' (9.0 m)		35' (10.5 m)		40' (12 m)			
		Min	Max	Min	Max	Min	Max	Min	Max	Min	Max	Min	Max	Min	Max		
300 W	39,000 Lumens	48	334	62	215	52	118	43	75	35	52	27	38	22	29		
200 W	27,000 Lumens	31	215	41	140	35	75	28	48	23	33	17	25	14	19		
150 W	21,000 Lumens	27	162	33	108	28	57	24	37	18	25	14	18	12	14		
100 W	13,000 Lumens	17	108	21	65	18	37	15	24	12	16	10	12	8	9		
60 W	8,700 Lumens	12	75	14	43	13	25	11	16	9	11	7	8	5	7		

Light distribution Type II, Type III, Type IV², and Type V

Color temperature (CCT) 3000 K², 4000 K, 5000 K

Color rendering (CRI) >70

Dimming 1-10 V dimmable driver

¹ Based on LED component manufacturer data.

² Available by special order, please contact SloanLED for lead times.

³ 347-480 VAC only available on 150 W, 200 W, and 300 W, special order.

⁴ Mounting arms, Trunnion, and Slipfitter shipped along side. Field assembly required.



Adjustable Arm



Straight Arm



Trunnion



Slipfitter



60 W & 100 W



150 W & 200 W



300 W

Performance

Ingress protection IP66

Operating temperature -30° C to 45° C

Life rating >50,000 hours (L₇₀)¹

Surge protection 4KV / 6KV

Construction

Body Die cast aluminum

Body colors Black, Bronze, Grey², and White²

Dimensions L × W × H **300 W** 641 mm × 403 mm × 85 mm
(25.3" × 15.9" × 3.4")

150 W / 200 W 601 mm × 283 mm × 85 mm
(23.7" × 11.2" × 3.4")

60 W / 100 W 601 mm × 283 mm × 85 mm
(23.7" × 11.2" × 3.4")

Mounting⁴

Adjustable Arm² Side mounts to a square or round pole with no additional hardware. Can be used to mount fixture to a wall. Knuckle can be adjusted 180° up/down.

Straight Arm Static mount at 90° from mounting surface. Side mounts to a square or round pole with no additional hardware. Can be used to mount fixture to wall. Required for Dark Sky Compliance.

Trunnion U-bracket fitters allows for 180° (up and down) adjustment from the mounting surface. Transforms the fixture into a floodlight.

Slipfitter Mounts pole top on a 60 mm (2.375") pole or tenon and adjusts 105° in 5° increments.

Documentation

Warranty 5-year limited

Agency listings UL Listed, CE, FCC

Files available LM-79, LM-80, IES

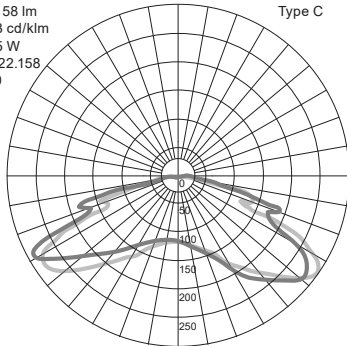
Optimus

LED Pole mount lights
LCG-SB

Photometrics

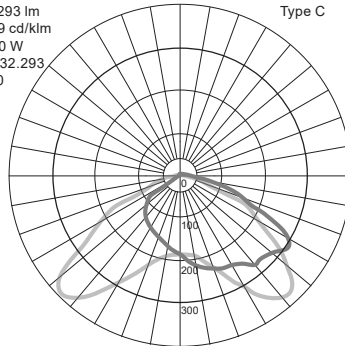
Type II

Lamp=22 158 lm
Max=292.3 cd/klm
Power=195 W
Multiplier=22.158
Degrees=0



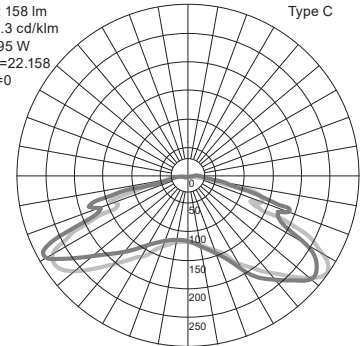
Type III

Lamp=33 293 lm
Max=436.9 cd/klm
Power=300 W
Multiplier=32.293
Degrees=0



Type V

Lamp=22 158 lm
Max=292.3 cd/klm
Power=195 W
Multiplier=22.158
Degrees=0



Ordering information

Part number

Example: LCG-SB-100W-U-50K-T3-BZ-S-D1

LCG-SB- [] - [] - [] - [] - [] - [] -D1

Power

Code	Desc.
300W	300 W
200W	200 W
150W	150 W
100W	100 W
60W	60 W

Voltage

Code	Desc.
U	100-277 VAC
H	347-480 VAC ⁴

Color temperature

Code	Desc.
50K	5000 K
40K	4000 K
30K	3000 K ¹

Light distribution

Code	Desc.
T5	Type V
T3	Type III
T2	Type II

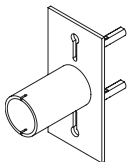
Body color

Code	Desc.
BK	Black ¹
BZ	Bronze
GY	Grey
WT	White ¹

Mounting⁶

Code	Desc.
A	Straight arm
K	Adjustable arm ¹
S	Slipfitter
T	Trunion

Accessories



60 mm (2.375") Tenon Kit

Square poles

601102-BK (Black)

601102-BZ (Bronze)

601102-CC-SL (Silver)²

601102-CC-WH (White)³

Round poles

601017-BK-3.0 (Black)

601017-BZ-3.0 (Bronze)

601017-SL-3.0 (Silver)²

601017-WH-3.0 (White)³



Photocell Socket⁵

NEMA 3-pin socket
601053



Universal Voltage Photocell⁵

401762

¹ Available by special order, please contact SloanLED for lead times.

² Matches Grey (GY) finish.

³ Matches White (WH) finish.

⁴ 347-480 VAC only available on 150 W, 200 W, and 300 W, special order.

⁵ 100 - 277 VAC

⁶ Mounting arms, Trunion, and Slipfitter shipped along side. Field assembly required.

SloanLED Headquarters
805.676.3200 • info@SloanLED.com

SloanLED Europe b.v.
+31 88 12 44 900 • Europe@SloanLED.com

SloanLED.com



SloanLED[®]
Leaders in LED Technology