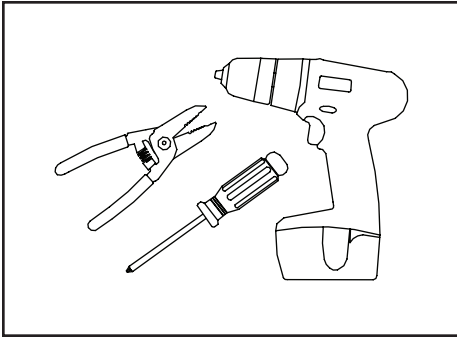
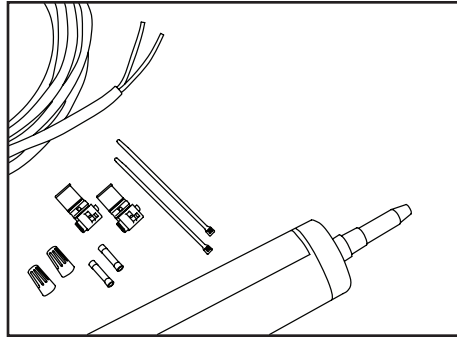


60W1 12 VDC Power Supply

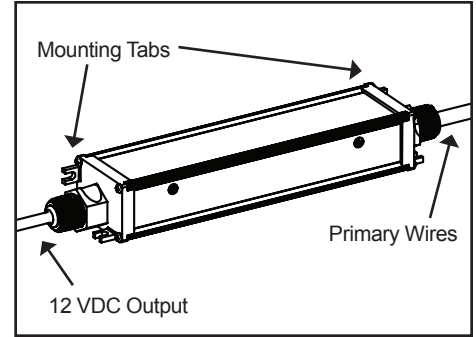
Installation Guide for 701507-60W1 – NEC Class 2 Output



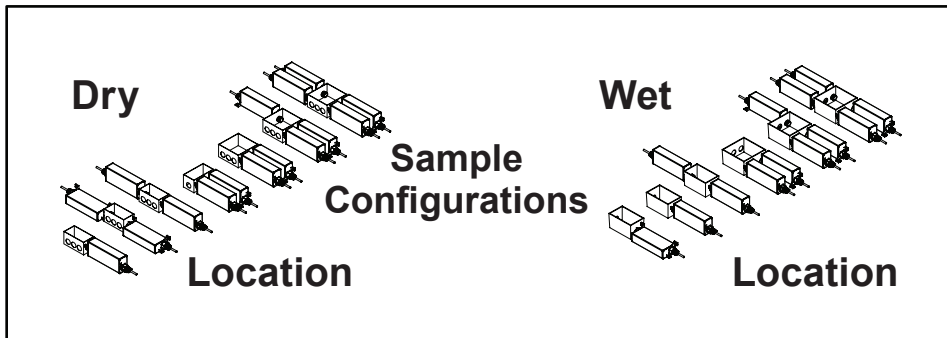
1. Tools required: Wire strippers, drill and screwdriver.



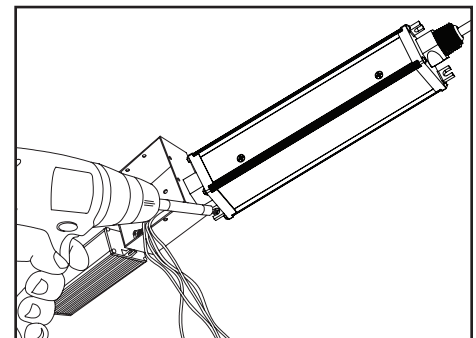
2. Supplies required: Junction box, #8 or #10 pan head screws, UL listed PLTC cable, electrical wire connectors, 1/2" locknuts, silicone.



3. Power Supply: Identify primary wires, secondary wires and location of mounting tabs.



4. Configure Power Supplies: Secure power supplies to junction box using 1/2" locknuts. Power supplies may be joined together in a wide array of configurations. For wet locations use a UL listed for wet locations junction box. For dry locations use any UL listed junction box.

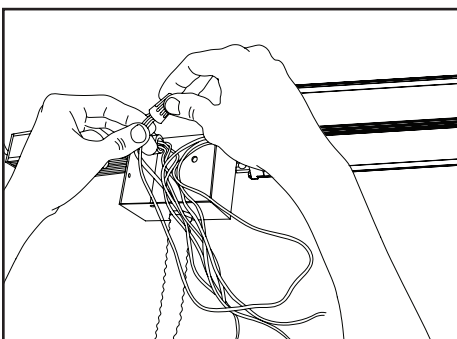


5. Mount Power Supplies: Units may be mounted in any orientation using mounting tabs.

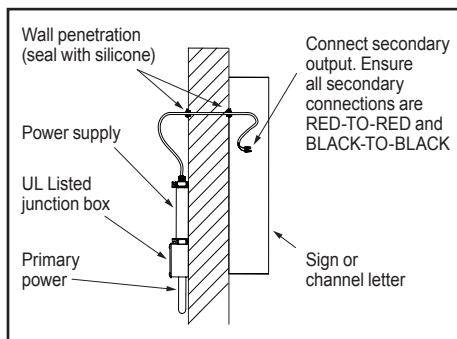
NOTE: Power supply operating temperature is -40° to 60° C. To ensure adequate ventilation, it is recommended mounting power supplies without a secondary enclosure. Space power supplies by standard knockout locations (3/4" min) and 1" minimum end to end. Ensure power supplies are not overloaded by verifying output current is less than 5 DC Amps. It is recommended to use photo-cells or light sensors to prolong life of power supply and to keep unit at maximum operating efficiency.

TROUBLESHOOTING
If sign is not functioning properly, check the following:

- Primary voltage is between 100-240 VAC
- Secondary voltage is 12 VDC
- Output current is 5 Amps or less
- Power supply is not overloaded (see power supply capacity chart in product installation guide or www.SloanLED.com)
- There are no shorts in secondary wiring
- All secondary connections are RED-TO-RED and BLACK-TO-BLACK



6. Connect Primary CAUTION: Have a licensed electrician connect primary.



7. Make Secondary Connections: Secondary class 2 cables do not require conduit per NEC 2008 Articles 725.121 through 725.130. Seal all wall penetrations with silicone to avoid water damage.



UL File number: E215393