

HighLINER 2

Installation Guide for 701912-C1I75, 701912-L1C1I75, 701912-35C2I75, 701912-L135C2I75

General Information:

HighLINER 2 is intended for linear lighting in storerooms, walk-in coolers, indoor and outdoor soffits, outdoor canopies, car washes, and a variety of other lighting applications.

Do not mount completely or partially submerged in water.

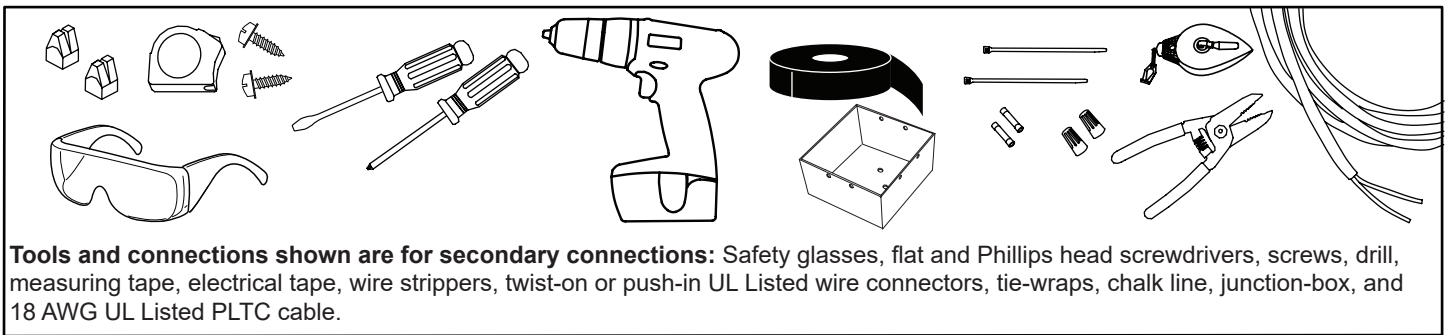
HighLINER 2 luminaires should only be used with SloanLED 100 Watt 24 VDC Power Supply.

To clean HighLINER 2 luminaire use a damp cloth and mild cleaning agent only.

FOR YOUR SAFETY

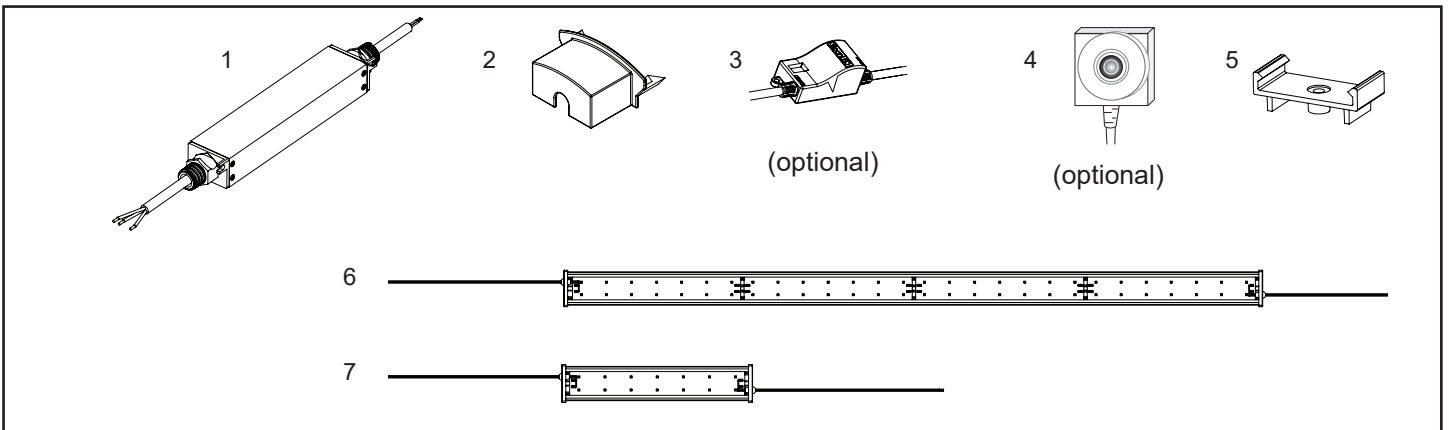
- Read and observe all NOTES, CAUTIONS, and WARNINGS shown throughout these instructions.
- Installation of power supplies to be performed by licensed electrician only.
- Safety glasses or goggles should be worn while performing installation.
- This product is UL and ETL listed for dry, damp, and wet locations.
- **Electrical Specifications: Maximum 0.600 A, 24 VDC, Class 2 circuit.**
- Install to national, local, and state regulations.

Tools and Accessories Recommended



Items Provided

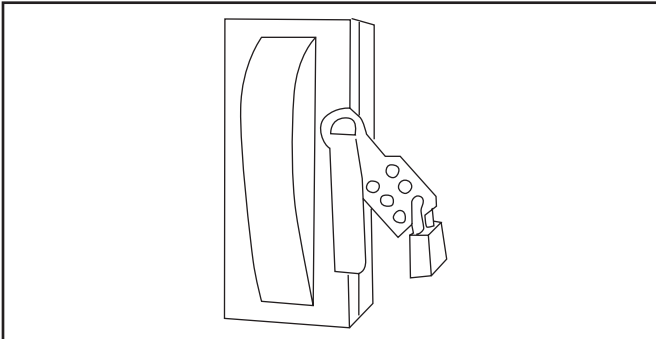
1. Power Supply
2. Wire Nut Housing
3. Dimming Controller
4. Motion Sensor
5. Mounting Clip
6. 4 ft (1.2 m) HighLINER 2
7. 1 ft (0.30 m) HighLINER 2



HighLINER 2

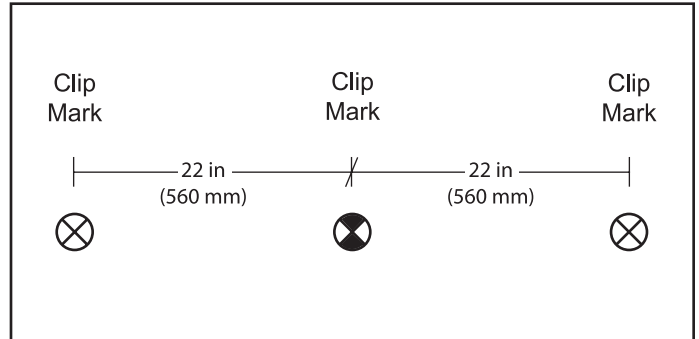
Installation Guide for 701912-C1I75, 701912-L1C1I75, 701912-35C2I75, 701912-L135C2I75

Preparation for Installation



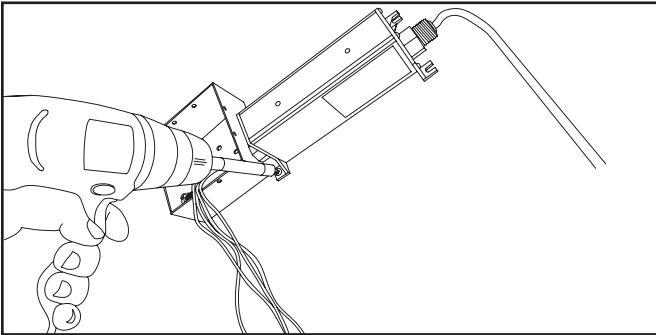
WARNING: Risk of electrical shock. Locate main circuit breaker panel, de-energize, and perform lockout/tagout prior to installing light fixtures. All primary wiring must be done by a licensed electrician.

CAUTION: Power supplies should not be mounted near any other heat generating element. Mount power supply with two self drilling/self tapping screws through tabs in both end caps.



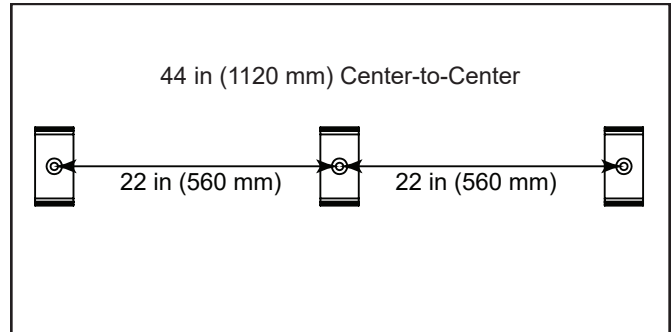
Mark clip locations: Snap a chalk line on surface. Measure 22 in (560 mm) off center to left and to right determine clip location.

Installation



- 1. Install junction box and power supply:**
Follow power supply instructions for installing secondary side. Use UL listed twist-on, push-in, wire connectors for connections. Follow connector manufacturer's instructions.

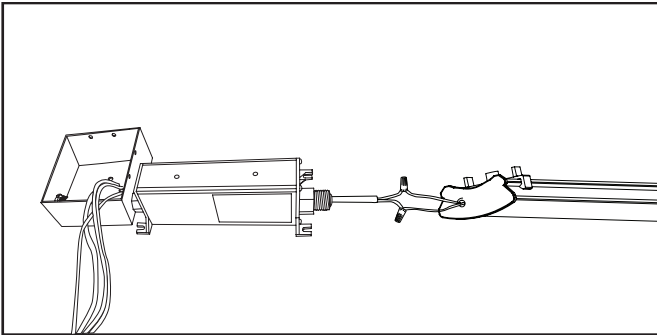
CAUTION: All primary connections including grounding must comply with national, local, and state regulations. Have a licensed electrician connect primary wires.



- 2. Attach mounting clips as shown in diagram:** Three mounting clips per luminaire. Use screw of appropriate length and thread type for mounting surface, #8 or #10 (4 mm or 5 mm), pan or hex head screws. Stainless steel screws are recommended.

HighLINER 2

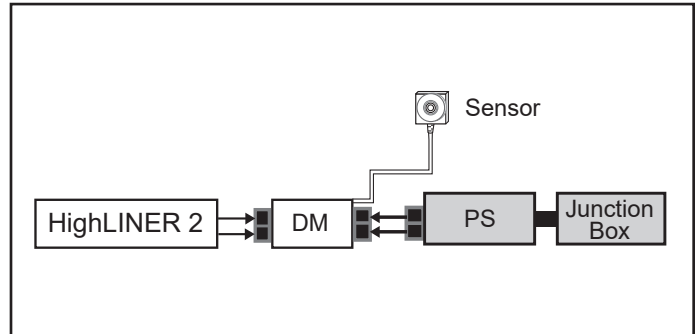
Installation Guide for 701912-C1I75, 701912-L1C1I75, 701912-35C2I75, 701912-L135C2I75



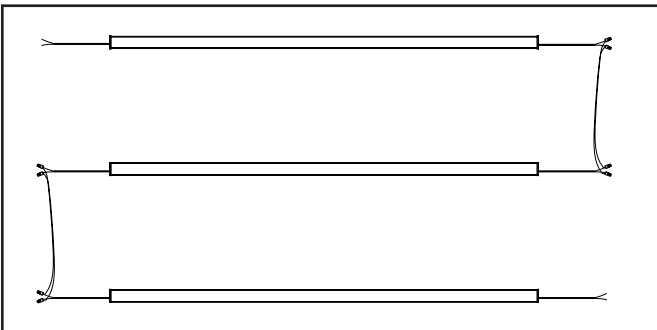
- 3. Install luminaire:** Orient luminaire so that lead wires face towards power supply and junction box. Snap luminaire into mounting clips. Attach wires to power supply using UL Listed twist-on or push-in wire connectors or equivalent. If mounted outdoors or exposed to moisture, ensure all wire connections are waterproof.

NOTE: If multiple luminaires are being attached to same power supply refer to step 5 for daisy chain instructions.

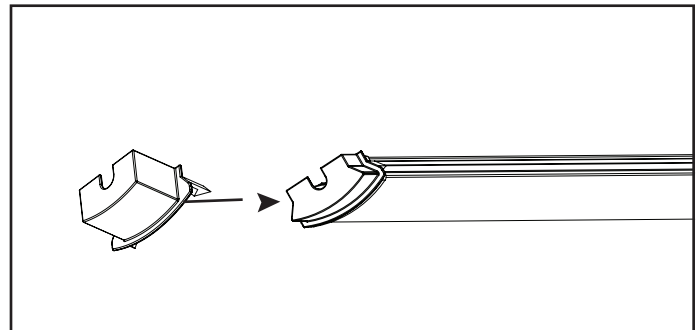
WARNING Check polarity: All connections must be RED-TO-RED (+) and BLACK-TO-BLACK (-). Reverse polarity connections may damage LEDs and will void product warranty.



- 4. Install Dimming Controller and Motion Sensor (optional):** Connect Dimming Controller to secondary side of power supply. Ensure Motion Sensor is aimed at primary task area. Cat 5 cable may be concealed as required.



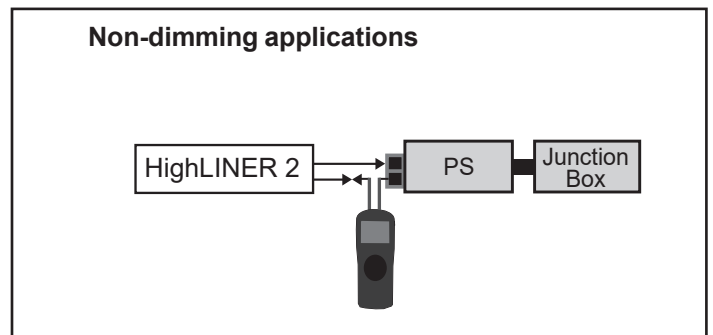
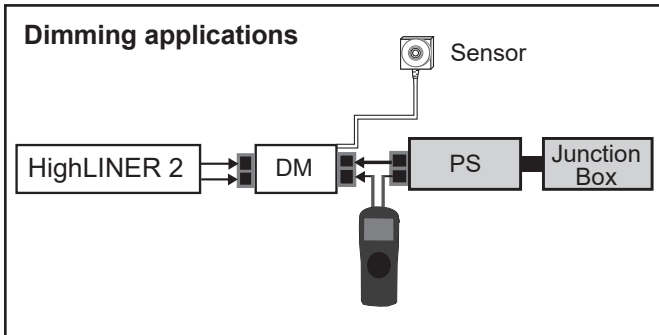
- 5. Daisy chain as required:** Up to six luminaires can be attached to a single power supply. Multiple luminaires can be connected at same locations using 18 AWG UL Listed PLTC cable and UL Listed twist-on or push-in or equivalent wire connector. Length will be determined by luminaire placement.



- 6. Wire Nut Housing:** Conceal twist-on wire connectors using provided Wire Nut Housing. When properly installed, Wire Nut Housing sits flush with profile of luminaire.

HighLINER 2

Installation Guide for 701912-C1I75, 701912-L1C1I75, 701912-35C2I75, 701912-L135C2I75



- Turn on system:** Re-energize power circuit after installation is complete. Check secondary current of each power supply to ensure it is not overloaded per rating on label.

24 VDC power supply capacity table for HighLINER 2

Part number	Input		Output		
	Nominal input voltage	Input current	Power output	Output voltage	Maximum number luminaires
24 VDC Power Supply (701895-24C)	100-240 VAC, 50-60 Hz	1.4 A Max	100 W	24 VDC	6
Compact 24/40 W (410175)	100-277 VAC, 50-60 Hz	0.6 A Max	40 W	24 VDC	2

NOTE: Do not combine power supply outputs. Each 24 V circuit must be limited to power supply output rating. For North American installations, a power supply that meets NEC Class 2 specifications is required.

Dimming Controller settings

Switches 1 and 2 adjust brightness level

Switches 3 and 4 adjust dim mode brightness

Switch 1	Switch 2	Brightness level	Switch 3	Switch 4	Percent of full brightness
Off	Off	NA	Off	Off	0.0%
On	Off	Energy Saver	On	Off	12.5%
Off	On	Standard	Off	On	25.0%
On	On	MerchandiserMax	On	On	50.0%

Number of luminaires required per 100 square-foot (9.29 square-meters) for open, continuously lit areas.

Ceiling Height	Minimum Illumination Intensities* (lux)†			
	300 lx	400 lx	500 lx	600 lx
8 ft (2.4 m)	2	3	3	4
10 ft (3.0 m)	2	3	3	4
12 ft (3.7 m)	2	3	4	4

* Intensity measured at standard tabletop height (30 in (760 mm) from ground)

†100 lux = 9.29 foot-candela

For complete workplace lighting requirements, see OSHA requirements - Code of Federal Regulations Title 29, Section 1926.56.

Visit www.osha.gov for more information.

HighLINER 2

Installation Guide for 701912-C1I75, 701912-L1C1I75, 701912-35C2I75, 701912-L135C2I75

Troubleshooting

- | | |
|---------------------------------|---|
| Luminaire won't turn on. | <ol style="list-style-type: none">1. Most likely a connector or connection problem. Check connections and voltage at connector. It could be a loose connection, wire, or connector.2. Ensure lockout/tagout removed and main circuit breaker energized.3. Ensure all connections are secure and no shorts to ground.4. Verify proper operation of power supply with multi-meter. Measure power supply output 24 +/- 10% VDC and if 24 VDC present, replace luminaire.5. If no output voltage, have certified electrician measure input voltage to power supply 90-240 VAC. If voltage present within range, replace power supply.6. Check to ensure total number of lights does not exceed power supply capacity. If proper number of lights per power supply, ensure proper wire sizing for minimal voltage drop based on length of wire run. |
|---------------------------------|---|