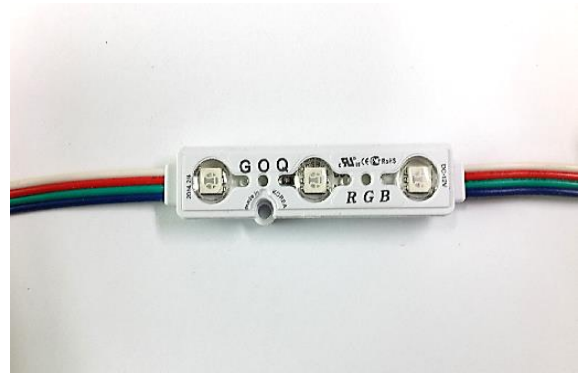




WWW.GOQ.KR

MODEL : GOQ RGB 3 LED



< Characteristic >

Most Preferred Best seller LED module : CE, UL, RoHS Certified

Power Consumption : 0.72W

LED provided by DK1

SMD LED mounted : Made in Korea

LED Driver : Constant Voltage Driving System

Max. 50 modules in series

Fabricated with a CAP TYPE Optical Lens

Each unit can be used to cut.

Best Viewing Angle : **150°**

< Enhanced Function >

Stylish Appearance design : CAP TYPE

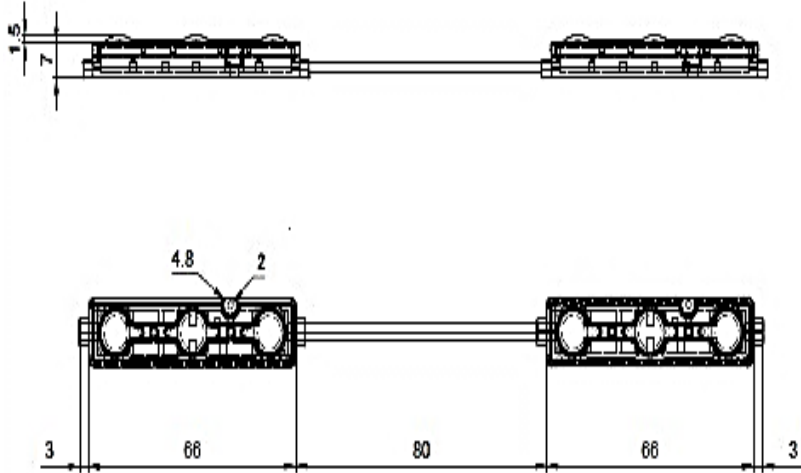
Design for Humid & Waterproof : IP68

Easy Installation & Maintenance

< Applications >

- * Normal size Channel letters
- * Flex light Box illumination
- * Duplex light Box illumination

< Dimension >



< Specification >

| Item | Value | Unit |
|--------------------|---------------------|----------|
| Product No. | GOQ RGB 3 LED | |
| Power Consumption | 0.72 | Watt |
| Input Voltage | 12 | VDC |
| Input Current | 60 | mA |
| View Angle | 150 | ° |
| Luminous intensity | - | lm(Typ.) |
| CRI | 80 | % |
| Module Pitch | 80 | mm |
| Size | 66 X 15 X 8.5 | mm |
| Weight | 8 | g |
| Max. in Series | 50 | EA |
| Operating Temp | - 30 ~ 85 | °C |
| Storage Temp | - 40 ~ 100 | °C |
| Waterproof | IP68 | |
| Cable | UL, 20AWG 300V/80°C | |
| Case materials | UL, ABS, V0-class | |
| Lens materials | UL, SAN, V0-class | |

< LED Specification >



Absolute Maximum Ratings

(Ta=25°C)

| Item | Symbol | Absolute Maximum Rating | | | Unit |
|--------------------------|-----------|-------------------------|-------|-----|------|
| | | Blue | Green | Red | |
| Forward Current | I_F | 30 | 30 | 30 | mA |
| *1)Pulse Forward Current | I_{FP} | 90 | 90 | 90 | mA |
| Reverse Voltage | V_R | 5 | | | V |
| Power Dissipation | P_D | 66 | 102 | 102 | mW |
| Operating Temperature | T_{opr} | -30~+85 | | | °C |
| Storage Temperature | T_{sto} | -40~+100 | | | °C |

*1) I_{FP} conditions : Pulse with $t_w \leq 0.1ms$, Duty ratio $\leq 1/10$

* Care is to be taken that Power Dissipation dose not exceed the Absolute Maximum Rating of the product.

Electro-Optical Characteristics

(Ta=25°C)

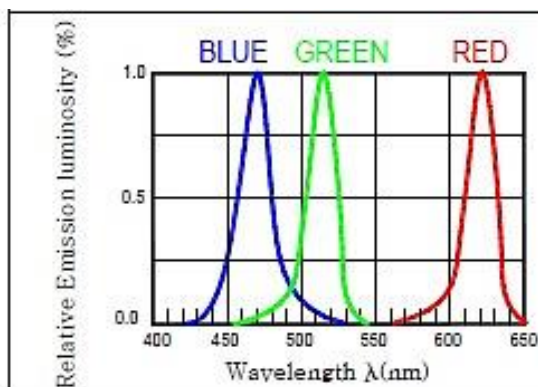
| Parameter | Color | Symbol | Test Condition | Min | Max | Units |
|-----------------------|-------|--------|----------------|------|------|-------|
| Forward Voltage*1 | Red | V_F | $I_F = 20mA$ | 1.8 | 2.2 | V |
| | Green | | | 3.0 | 3.4 | |
| | Blue | | | 2.98 | 3.4 | |
| Luminous Intensity*2 | Red | I_V | $I_F = 20mA$ | 500 | 700 | mcd |
| | Green | | | 1100 | 1400 | |
| | Blue | | | 250 | 350 | |
| Dominant Wavelength*3 | Red | W_D | $I_F = 20mA$ | 618 | 622 | nm |
| | Green | | | 522 | 526 | |
| | Blue | | | 457 | 462 | |

*1) Voltage are tested at a current pulse duration of 1ms and an accuracy of $\pm 0.05V$

*2) Luminous Intensity is tested at a current pulse duration of 10ms and an accuracy of $\pm 10\%$.

*3) The measurement tolerance of the dominant wavelength is 2nm

Spectrum



Viewing Radiation Characteristics

