



WWW.GOQ.KR

MODEL : GOQ 3 LED  
(RED)\_FROSTED



## < Characteristic >

Most Preferred Best seller LED module : CE, UL, RoHS Certified

Power Consumption : 0.72W

LED provided by DK1

SMD LED mounted : Made in Korea

LED Driver : Constant Voltage Driving System

Max. 50 modules in series

Design of a new and unique CAP TYPE Optical Lens

Each unit can be used to cut.

Best Viewing Angle : **160°**

## < Enhanced Function >

Stylish Appearance design : FROSTED TYPE of Optical Lens

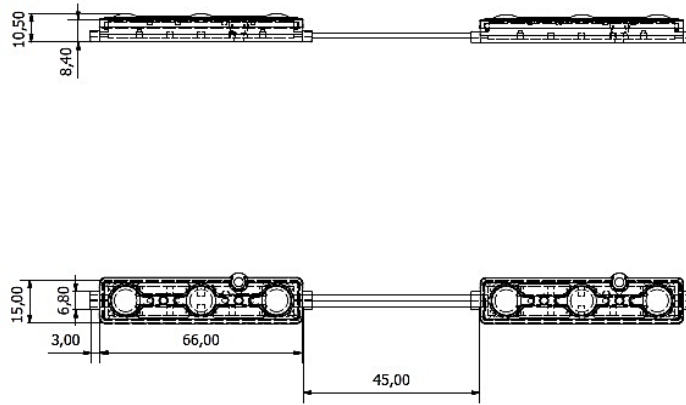
Design for Humid & Waterproof : IP68

Easy Installation & Maintenance

## < Applications >

- \* Narrow size Channel letters
- \* Flex light Box illumination
- \* Duplex light Box illumination

## < Dimension >



## < Specification >

Item	Value	Unit
Product No.	GOQ 3 LED(REDFROSTED)	
Power Consumption	0.72	Watt
Input Voltage	12	VDC
Input Current	60	mA
View Angle	160	°
Luminous intensity	20	lm(Typ.)
CRI	80	%
Module Pitch	80	mm
Size	66 X 15 X 10.5	mm
Weight	8	g
Max. in Series	50	EA
Operating Temp	- 30 ~ 60	°C
Storage Temp	- 30 ~ 70	°C
Waterproof	IP68	
Cable	UL, 20AWG 300V/80°C	
Case materials	UL, ABS, HB-class	
Lens materials	UL, SAN, HB-class	

# < LED Specification >



## Absolute Maximum Ratings

(Ta=25°C)

Item	Symbol	Absolute Maximum Rating	Unit
Forward Current	$I_F$	90	mA
Pulse Forward Current *1)	$I_{FP}$	270	mA
Reverse Voltage	$V_R$	5	V
Power Dissipation	$P_D$	252	mW
Operating Temperature	$T_{opr}$	-30~+85	°C
Storage Temperature	$T_{stg}$	-40~+100	°C

\*1)  $I_{FP}$  conditions : Pulse with  $t_w \leq 0.1$ ms, Duty ratio  $\leq 1/10$

※ Care is to be taken that Power Dissipation dose not exceed the Absolute Maximum Rating of the product.

※ These values are based on 3 die performance

## Electro-Optical Characteristics

(Ta=25°C)

Item	Symbol	Condition	Min.	Typ.	Max.	Unit
Forward Voltage	$V_F$	$I_F=60$ mA	1.8		2.4	V
Reverse Current	$I_R$	$V_R=5$ V			10	uA
Luminous Intensity	$I_v$	$I_F=60$ mA	1,600		2,200	mcd
Dominant Wavelength	$\lambda_D$	$I_F=60$ mA	620		626	nm
Half Angle	$\theta_{\frac{1}{2}}$	$I_F=60$ mA		$\pm 60$		deg

※ Voltage are tested at a current pulse duration of 1ms and an accuracy of  $\pm 0.05$ V

※ Luminous Intensity is tested at a current pulse duration of 10ms and an accuracy of  $\pm 10\%$ .

## Viewing Radiation Characteristics

