

PDL3 MODUS

LED lighting system



We Brighten
Your Brands.

 **SloanLED**[®]
Leaders in LED Technology

Brilliance by design.

PDL3 MODUS is a universal 1-for-1 upgrade of existing 400 W HID downlights, featuring application-based high (200 W), medium (150 W), and low (75 W) driver solutions that make it the ideal luminaire replacement for petroleum canopies, parking structures/surface mount, and walk-in coolers.



Features

Benefits

Slim, lightweight, 25 mm (1") surface mounting fixture is virtually maintenance free	Saves cost of service maintenance contracts and lowers total cost of ownership dramatically
Modular power supplies are application specific to include all parts needed for installation	Designed for fast, one person installation, without need for site surveys
IP68 fixture is sealed to keep out bugs, dust, and water	Fixtures can be pressure washed and easily maintained
Power Module allows each driver solution three lumen settings without hardware replacement	Installers and end users can adjust the lumen settings on-site for the best lighting layout
Tempered glass diffusers available in Clear and Textured finish	Textured lens conceals LEDs when not in use; Clear lens concentrates "light on target"
Aluminum die cast heat extraction system allows use in temperatures up to 60° C	Fixture runs cooler at higher outputs, extending life of LEDs
Efficacy up to 149 lm/W	Uses less energy for faster ROI
Type 5 light distribution	Artifact-free light patterns for perfect illumination in all applications
Industry leading 10-year limited warranty	Have confidence that your fixtures are covered by the SloanLED warranty — we are committed to our products and your satisfaction

For more information on our Outdoor Area collection of products, visit SloanLED.com.

Revolutionary design for powerful solutions.

PDL3 MODUS sets new standards with its slim, lightweight, 25 mm (1") design, and optimized radiation pattern; and unlike other surface mounting fixtures, L₇₀ life rating is based on the highest brightness setting, and at the maximum ambient temperature, ensuring superior performance and reliability. This IP68-rated, surface mounting fixture is virtually maintenance free and sealed to keep out bugs, dust, and water.

- Designed for fast, one person installation, without the need for site surveys
- Power Module allows each driver solution to have three lumen settings without hardware replacement
- Faster ROI, industry leading warranty, and virtually no maintenance
- **Energy savings up to 250% over typical HID fixtures**



Standard



High Output

1. Select a fixture

PDL3 MODUS	Clear.....	701948-5WCWT3-M
	Textured	701948-5WTWT3-M
PDL3 MODUS High Output	Clear, White	701948-5WCWT3-MH
	Textured, White.....	701948-5WTWT3-MH
	Clear, Bronze.....	701948-5WCBZ3-MH
	Textured, Bronze	701948-5WTBZ3-MH

2. Select a power supply solution

Power Supply Solution

Description	For use with	Code	Wattage	Part number
MOD1 Global Petroleum Canopy	PDL3 MODUS Standard	MOD 1.1	75 W	601071
		MOD 1.2	150 W	601072
	PDL3 MODUS HO	MOD 1.3	200 W	601073
MOD2 North American Petroleum Canopy	PDL3 MODUS Standard	MOD 2.1	75 W	601074
		MOD 2.2	150 W	601075
	PDL3 MODUS HO	MOD 2.3	200 W	601076
MOD3 North American Walk-In Cooler	PDL3 MODUS Standard	MOD 3.1	75 W	601077
		MOD 3.2	150 W	601078
	PDL3 MODUS HO	MOD 3.3	200 W	601079
MOD4 North American Parking Garage/ Surface Mount	PDL3 MODUS Standard	MOD 4.1	75 W	601080
		MOD 4.2	150 W	601081
	PDL3 MODUS HO	MOD 4.3	200 W	601082
MOD4 Global Parking Garage/Surface Mount	PDL3 MODUS Standard	MOD 4.4	75 W	601088
		MOD 4.5	150 W	601089
	PDL3 MODUS HO	MOD 4.6	200 W	601090
MOD5 North American Shoebox Retrofit	PDL3 MODUS Standard	MOD 5.1	75 W	601083
		MOD 5.2	150 W	601084
	PDL3 MODUS HO	MOD 5.3	200 W	601085

3. Select accessories

Accessories

Item description	Part number
Mounting Plate, 700 mm	401568-700
Mounting Plate, Bronze, 700 mm	401568-700MH
Shoobox Mounting Plate	401397
Blank Plate (De-lamping)	401219
Blank Plate, Bronze (De-lamping)	401219-BZ
Install Template ²	401398
EU Waterproof Junction Box	701952-EU

Dimming Accessories¹

Item description	Part number
Dimming Controller for 75 W Power Supply	601092
Dimming Controller for 150 W Power Supply	601093
Dimming Controller for 200 W Power Supply	601094
Occupancy Sensor	701953

¹ Power supply solution not included.

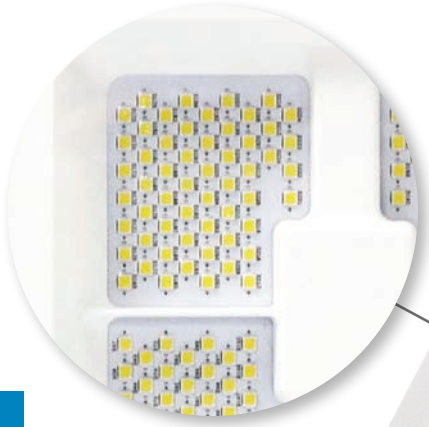
² Dimming controller replaces the Power Module. Dimming controller box fits inside housings of MOD 2, MOD 3, and MOD 4. To install dimming controller on MOD 1, a plastic enclosure must be used (P/N 701952-EU).

Innovation that sets us apart.

The slim, lightweight design, die cast heat sink, thermally conductive heat plate, and remote power supply solutions that make up the PDL3 MODUS lighting system, set it apart from all other products in its class.

1 LEDs

Top tier LEDs are driven well below recommended safety limits, on both drive current and junction temperature, to keep components cool – maintaining the life of the LED – allowing for a compact and efficient heat sink design.



2 Ingress Protection

IP68 fixture is sealed to keep out bugs, dust, and water.

3

Heat Sink

High performance, die cast heat sink transfers heat from the light engine to the environment, via large cooling fins, drawing heat away from the fixture, and extending the lifespan of the LEDs.



4

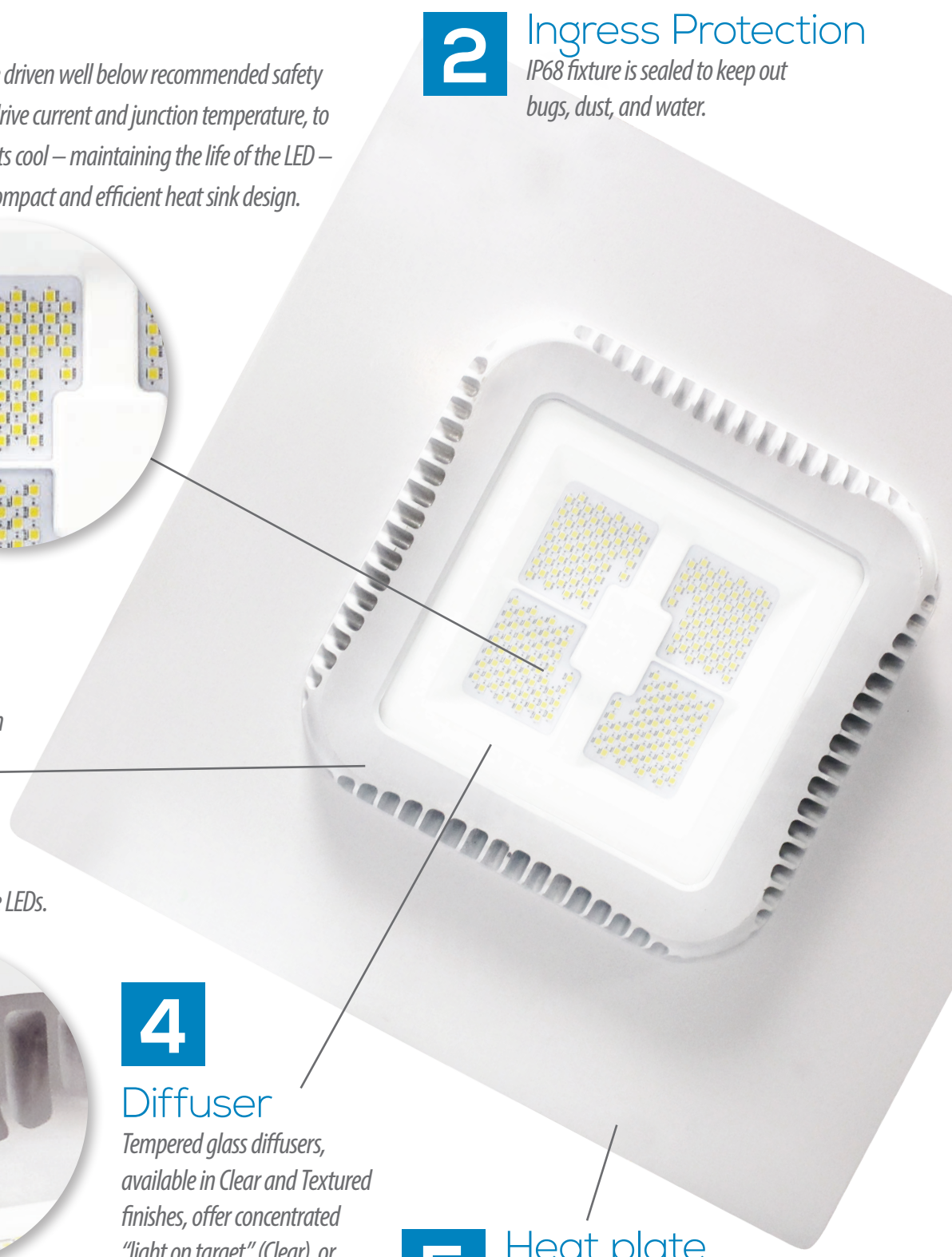
Diffuser

Tempered glass diffusers, available in Clear and Textured finishes, offer concentrated "light on target" (Clear), or conceal LEDs when not in use (Textured).

5

Heat plate

Thermally conductive heat plate transfers heat to the mounting surface and heat sink.



While other canopy lighting products build drivers into the fixtures, putting stress on both the LEDs and the drivers – shortening product lifespan, and requiring excessively large heat sinks – PDL3 MODUS, with remote driver solutions, is brilliantly designed for easy installation, outstanding performance, and high reliability. This all in one state-of-the-art package delivers faster ROI with virtually no maintenance, and the longest lifespan, making it the ideal luminaire replacement for petroleum canopies, parking structures/surface mount, and walk-in coolers.

Heat Plate
transfers heat
to the mounting
surface

Heat Sink
pulls heat
from light engine

Cooling Fins create
convective
airflow

Slim fixture design and
remote power supply make
PDL3 MODUS the ideal
solution, even in the
harshest climates



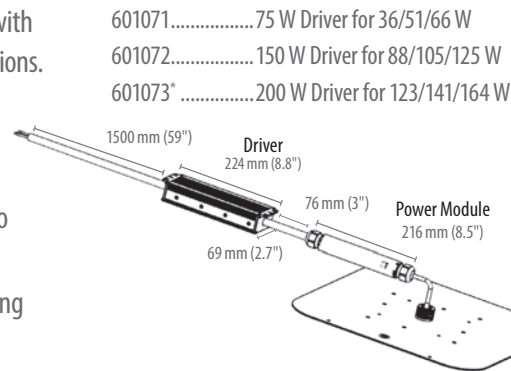
Powerful solutions for multiple applications.

PDL3 MODUS LED lighting system is a perfect example of the innovative, class-leading design you've come to expect from SloanLED. New application based, remote power supply solutions, specifically designed to disperse heat away from the luminaire, make it easy to specify and install for petroleum canopies, walk-in coolers/cold storage, and parking structure/surface-mount low bay applications.

MOD1 Global Petroleum Canopy

Included in kit: Driver and Power Module with VDE compliant cable – for EU/AUS applications.

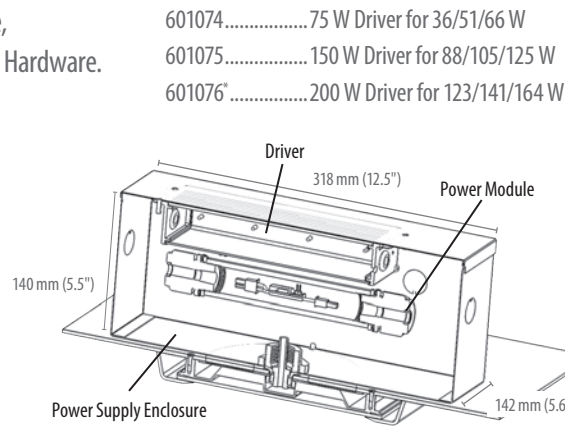
- Fixture connects to IP68-rated driver and Power Module
- Installer adds own junction box or plug to hook up primary power
- Power Module comes set at highest setting



MOD2 North American Petroleum Canopy

Included in kit: Driver, Power Module, Power Supply Enclosure, Gasket, and Hardware.

- Fixture connects to IP68-rated driver and Power Module
- Power supply enclosure allows water to pass through and out
- Driver comes mounted to enclosure lid
- Gasket seals against canopy – Eliminates need to seal installation with tar/roofing material
- Power Module comes set at highest setting



For more information on our Outdoor Area collection of products, visit SloanLED.com.

* 200 W Power supply is used with PDL3 MODUS High Output fixture only.

Balance of power.

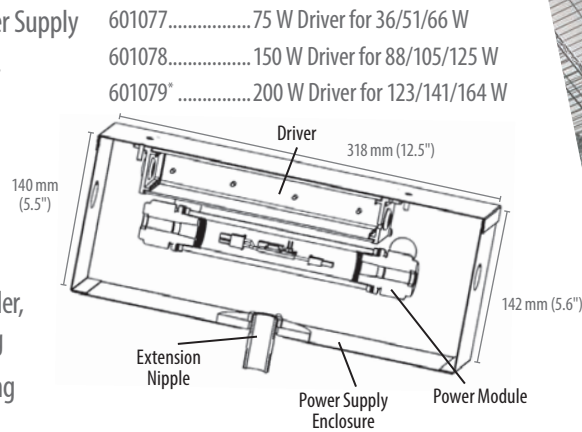
Each power supply solution includes a Power Module, which allows each fixture to have three lumen settings without hardware replacement, giving installers and end users the power to make adjustments on-site for the best lighting layout.



MOD3 North American Walk-in Cooler

Included in kit: Driver, Power Module, Power Supply Enclosure, Extension Nipple, and Hardware.

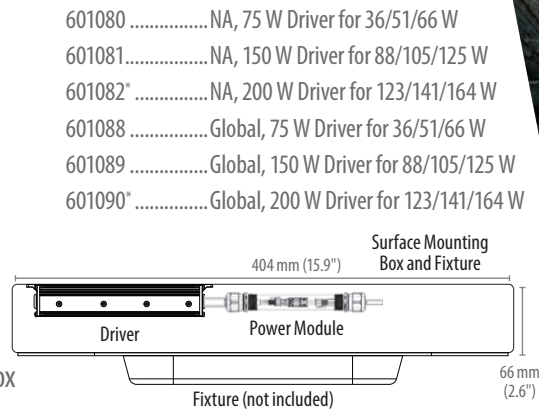
- Fixture connects to IP68-rated driver and Power Module
- Driver comes mounted to enclosure lid
- Extension Nipple protects cable as it passes through 102 mm (4") foam insulation of cooler, and threads into fixture in waterproof fitting
- Power Module comes set at highest setting



MOD4 Parking Garage/Surface Mount

Included in kit: Driver, Power Module, and SloanLED Surface Mounting Box.

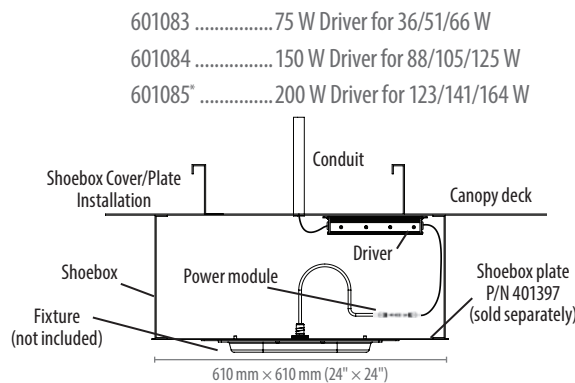
- Fixture connects to SloanLED surface mounting box, and IP68-rated driver and Power Module
- Mounts to: Solid flat surface, reinforced J-box, Aircraft cable suspension, and pendant drop
- Driver comes mounted to surface mounting box
- Power Module comes set at highest setting



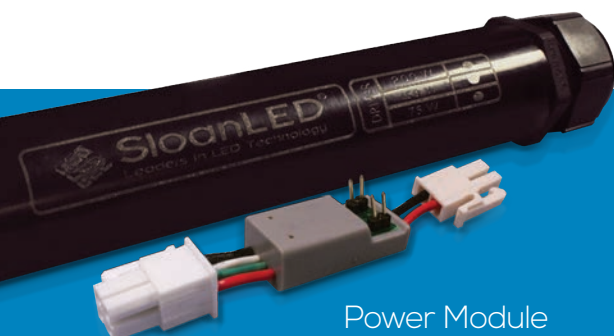
MOD5 North American Shoebox Retrofit

Included in kit: Driver, Power Module, and UL compliant cable.

- Fixture connects to IP68-rated driver and Power Module
- Installs into existing shoebox or retrofit
- Power Module comes set at highest setting



* 200 W Power supply is used with PDL3 MODUS High Output fixture only.



Power Module

- Waterproof gland nuts seal and strain relief cord sets
- Jumper comes from factory set to highest setting
- Weatherproof, black, UV-stabilized, polycarbonate tube with gland nuts creates IP68-rated module
- Extra jumper included

PDL3 MODUS

Specifications

Electrical	75 W Mod	150 W Mod
System power settings	36 W, 51 W, 66 W	88 W, 105 W, 125 W
System efficacy	140 lm/W (36 W) 137 lm/W (51 W) 136 lm/W (66 W)	133 lm/W (88 W) 125 lm/W (105 W) 122 lm/W (125 W)
Input voltage	100-277 VAC, 50-60 Hz	
Lighting¹	75 W Mod	150 W Mod
Light output (lm/W)	5,000 Lumens (36 W) 7,000 Lumens (51 W) 9,000 Lumens (66 W)	11,700 Lumens (88 W) 13,100 Lumens (105 W) 15,200 Lumens (125 W)
Light distribution	Symmetric (Type 5)	
Color	5000 K CCT	
Color rendering	70 CRI	
Performance	75 W Mod	150 W Mod
Operating temperature	-40° C to 60° C (36 W) -40° C to 55° C (51 W) -40° C to 50° C (66 W)	-40° C to 60° C (88 W) -40° C to 55° C (105 W) -40° C to 50° C (125 W)
Ingress protection	IP68 (highest dust and water protection)	
UL location rating	Suitable for wet locations	
Life rating	100,000 hours (L ₇₀) ² at maximum operating conditions	
Dimming (optional)	1-10 VDC control on power supply	

Construction

Frame	Die cast aluminum
Heat plate	Aluminum
Finish	White, powder coated for extreme conditions
Lens	Tempered glass
Dimensions W × H	406 mm (16") square × 25 mm (1")

Mounting

Light	4 self-drilling sheet metal screws
Power supply	Based on your application, choose the correct MOD version for your power supply needs

Documentation

Warranty	10-year limited
Agency listings	cULus, CE, ENEC, RoHS, Title 24 Compliant
Files available	LM-79, LM-80, IES

1 Lighting data pending third party verification.

2 Based on LED component manufacturer data.



SloanLED Headquarters
805.676.3200 • info@SloanLED.com

SloanLED Europe b.v.
+31 88 12 44 900 • Europe@SloanLED.com



SloanLED.com

© 2018 SloanLED Rev C 2018-04-24

Specifications subject to change without notice.

PDL3 MODUS High Output

Specifications

Electrical	200 W Mod
System power settings	123 W, 141 W, 164 W
System efficacy	147 lm/W (123 W) 145 lm/W (141 W) 141 lm/W (164 W)
Input voltage	100-277 VAC, 50-60 Hz
Lighting¹	200 W Mod
Light output (lm/W)	18,100 Lumens (123 W) 20,400 Lumens (141 W) 23,100 Lumens (164 W)
Light distribution	Symmetric (Type 5)
Color	5000 K CCT
Color rendering	70 CRI
Performance	200 W Mod
Operating temperature	-40° C to 60° C (123 W) -40° C to 50° C (141 W) -40° C to 40° C (164 W)
Ingress protection	IP68 (highest dust and water protection)
UL location rating	Suitable for wet locations
Life rating	60,000 hours (L ₇₀) ² at maximum operating conditions
Dimming (optional)	1-10 VDC control on power supply

Construction

Frame	Die cast aluminum
Heat plate	Aluminum
Finish	White or Bronze, powder coated for extreme conditions
Lens	Tempered glass
Dimensions W × H	406 mm (16") square × 25 mm (1")

Mounting

Light	4 self-drilling sheet metal screws
Power supply	Based on your application, choose the correct MOD version for your power supply needs

Documentation

Warranty	10-year limited
Agency listings	cULus, CE, ENEC, RoHS, Title 24 Compliant
Files available	LM-79, LM-80, IES

